

# $\alpha$ Axis Stainless Steel Goniometers $\alpha\beta$ Axis Stainless Steel Goniometers

**GOHS-40A** Stage Size 40 x 40 mm

**GOHS-40B** Stage Size 40 x 40 mm



Catalog Code W7099



Catalog Code W7107

## Goniometers with dovetail slide and worm gear construction for angular adjustment of heavy loads.

- Designed for use in hard vacuum applications, Both the stage and micrometer are made from stainless steel and come with high grade vacuum grease.
- Also ideal for use in airtight and contamination sensitive spaces where minimal outgassing is required.



### Guide

- ▶ The TSDS series stages are suitable for use in clean rooms or vacuum applications.
- ▶ **Reference** Vacuum measurement data E205
- ▶ Also ideal for use in airtight spaces that have to avoid outgassing.

### Attention

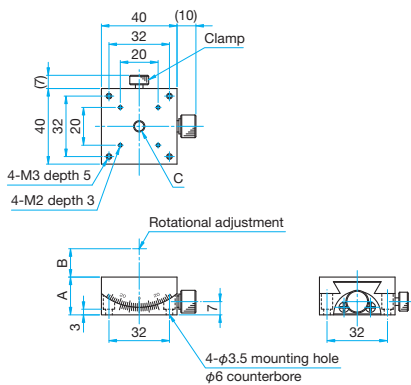
- ▶ Locking mechanism is operated using thumbscrew on side of stage.



## Outline Drawing

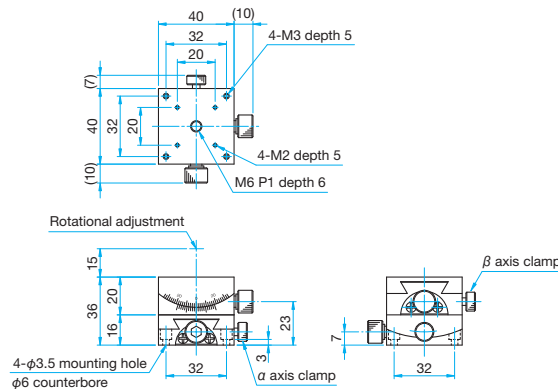
### GOHS-40A15/35

- Hexagon socket head cap screw (stainless steel construction) M3x6...4 screws
- 2.5mm



### GOHS-40B15

- Hexagon socket head cap screw (stainless steel construction) M3x6...4 screws
- 2.5mm



Part Number	A (mm)	B (mm)	C
GOHS-40A15	20	15	M6 P1 depth 6
GOHS-40A35	16	35	M4 depth 4

Specifications		GOHS-40A15	GOHS-40A35	GOHS-40B15
Part Number	METRIC			
Stage Size [mm]		40x40	40x40	40x40
Axes of Travel		$\alpha$ axis		$\alpha\beta$ axis
Rotation Center Height [mm]		15±0.1	35±0.1	15±0.1
Angle Range [°]		±20	±20	±20
Vernier Readable Resolution		12'	12'	12'
Travel per Knob Rotation [°]	(Upper) $\beta$ axis (Lower) $\alpha$ axis	— about 2.83°	— about 1.74°	about 2.83° about 1.74°
Rotation Center Displacement [mm]		φ2mm or less	φ2mm or less	φ2mm or less
Guide Method		Dovetail slide method		
Primary Material		Stainless steel		
Finish		None		
Load Capacity [N]		68.7 (7.0kgf)	68.7 (7.0kgf)	68.7 (7.0kgf)
Max. Moment Capacity	Pitch [N·m]	0.9	0.9	0.9
	Roll [N·m]	1.2	1.2	0.9
Moment Stiffness	Roll ["/N·m]	0.51	0.51	—
Parallelism [μm]		50	50	100
Weight [kg]		0.25	0.2	0.45

- Application Systems
- Optics & Optical Coatings
- Opto-Mechanics
- Bases
- Manual Stages
- Actuators & Adjusters
- MotORIZED Stages
- Light Sources & Laser Safety
- Index
- Guide
- X Axis Stages
- XY Axis Stages
- Z Axis Stages
- XZ Axis Stages
- XYZ Axis Stages
- Rotation Stages
- Gonio
- Tilt Stages
- Vacuum
- Ball Bearing Guide
- Crossed Roller
- Dovetail
- Lapping
- V Groove Screw
- Ohters
- 15 x 15 mm
- 25 x 25 mm
- 40 x 40 mm
- 60 x 60 mm
- 65 x 65 mm
- 80 x 80 mm
- 100 x 100 mm
- 120 x 120 mm
- Others