

Compact Motorized Polarizing Prism Holder

OSMS-60G

RoHS

Catalog code

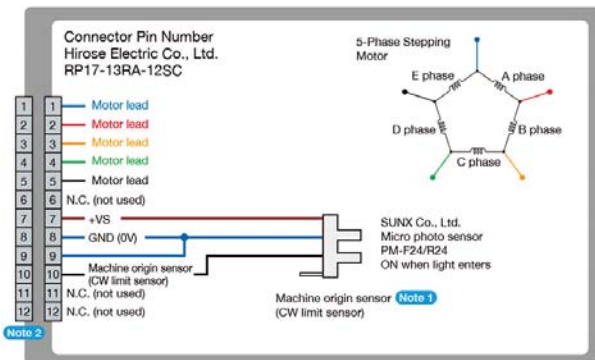
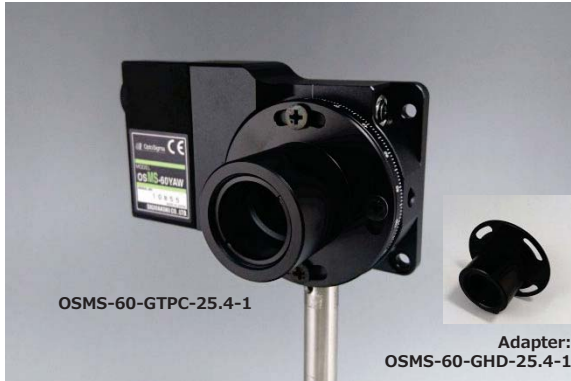
W4155

Automatically rotating the polarizing prism (25.4mm outer diameter).

Confirming the size of polarizing prism to ensure proper selection of adapter.

Utilizing our OSMS-60YAW motorized rotation stage to realize high accuracy rotation alignment.

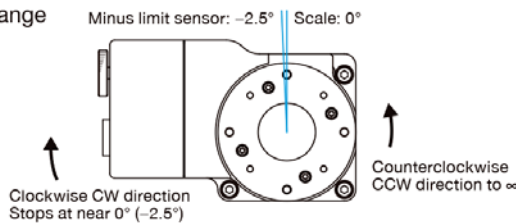
- Can be operated with our controller (see below the table).



Note 1 When a travel command in the "+" direction is issued, the mounting table rotates to ∞ in the CCW (counterclockwise) direction viewed from the top surface, but it is stopped by the machine origin sensor (CW limit sensor) in the CW (clockwise) direction. Detect the machine origin using the method (MINI system) that detects the origin with a machine origin sensor (CW limit sensor).

Note 2 Compatible cable connector: Hirose Electric Co., Ltd. RP17-13PA-12PC/RP17-PC-122

Rotation Range



Guide

▶ Adapters, which are available individually, can be easily installed onto the mounting surface of stage (OSMS-60YAW or discontinued SGSP-60YAW-0B). The optics is secured using retaining ring.

▶ To secure the optics, a retaining ring spanner is required.

▶ Please contact us for installation onto other automatic rotation stages.

▶ Please contact us for mounting prisms with different sizes.

Compatible Controller / Cable

Compatible Controller	GSC-01, GSC-02, SHOT-702, GIP-101, SHOT-302GS, SHOT-304GS, HIT-M · HIT-S, PGC-04-U, HSC-103
Compatible Cable	D15RP-CA

OSMS-60YAW Specifications

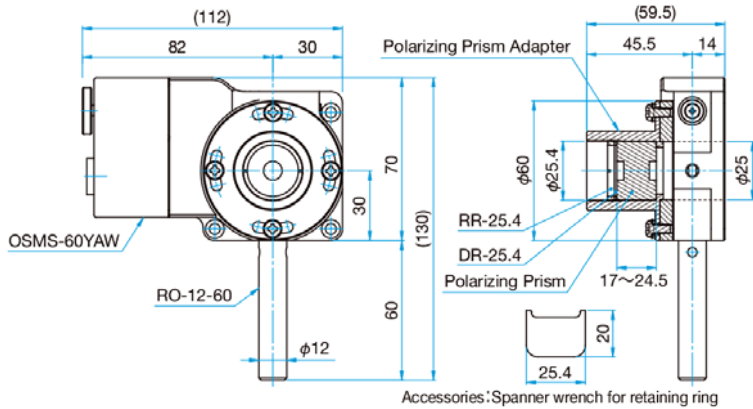
Rotation Range	Move in the counterclockwise CCW direction to ∞ , and stop at near 0° (-2.5°) in the clockwise CW direction.
Resolution [$^\circ$ /pulse]	(Full) 0.005° (Half) 0.0025°
MAX Speed [$^\circ$ /sec]	30

■ Please check our website for details about OSMS-60YAW.

Catalog code W9027

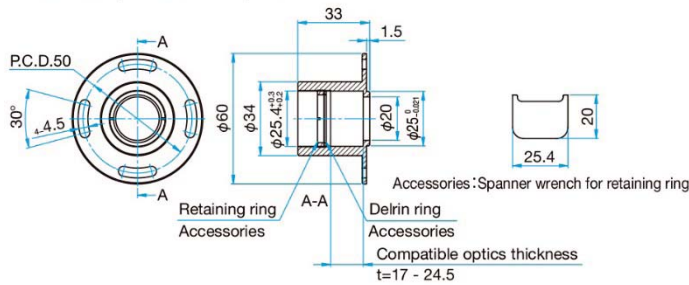
Specifications				
Part Number	OSMS-60-GTPC-25.4-1	OSMS-60-GHD-25.4-1	OSMS-60-GTPC-25.4-2	OSMS-60-GHD-25.4-2
JP Yen [¥]	95,500	7,000	95,500	7,000
Product Name	Compact Motorized Polarizing Prism Holder	Adapter for Polarizing Prism	Compact Motorized Polarizing Prism Holder	Adapter for Polarizing Prism
Composition	OSMS-60YAW + OSMS-60-GHD-25.4-1 + RO-12-60	—	OSMS-60YAW + OSMS-60-GHD-25.4-2 + RO-12-60	—
Compatible Optics Diameter [mm]	$\Phi 25.4$			
Compatible Optics Thickness [mm]	17~24.5		28~38	
Weight [kg]	0.56	0.11	0.57	0.12

OSMS-60-GTPC-25.4-1

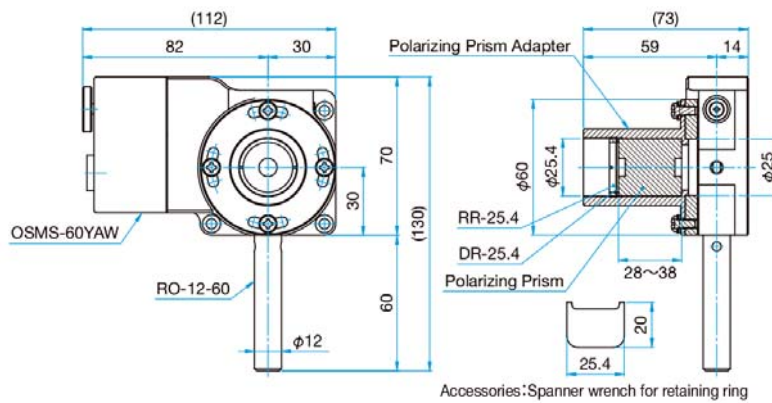


OSMS-60-GHD-25.4-1

- Spanner wrench for retaining ring × 1 piece,
- Cross recessed pan head screw M4 × 8...4 screws,
- Flat washer for M4...4 Pieces, Spring washer for M4...4 Pieces,
- Retaining Ring $\phi 25.4$...1 piece, Delrin Ring $\phi 25.4$...1 piece



OSMS-60-GTPC-25.4-2



OSMS-60-GHD-25.4-2

- Spanner wrench for retaining ring × 1 piece,
- Cross recessed pan head screw M4 × 8...4 screws,
- Flat washer for M4...4 Pieces, Spring washer for M4...4 Pieces,
- Retaining Ring $\phi 25.4$...1 piece, Delrin Ring $\phi 25.4$...1 piece

