

# Compact Motorized ND Filter Holder

**OSMS-60-ND**

**RoHS**

Catalog code

W4153

Automatically rotating the variable reflective ND filter (VND-100 or VND-100U).

Utilizing our OSMS-60YAW motorized rotation stage to realize high accuracy rotation alignment.



- Shipped with preinstalled variable reflective ND filter (VND-100 or VND-100U).
- Can be operated with our controller (see below the table)

## Guide

- ▶ To secure the optics, a retaining ring spanner is required.
- ▶ Please contact us for installation onto other automatic rotation stages.

## Specifications

Part Number	OSMS-60-ND	OSMS-60-NDU
JP Yen [¥]	185,500	205,500
Preinstalled ND Filter	Variable Reflective ND Filter VND-100 (BK7)	Variable Reflective ND Filter VND-100U (Synthetic fused silica)
Wavelength Range	Visible · Near-infrared	UV · Near-infrared
Weight [kg]	0.64	0.64

## Compatible Controller / Cable

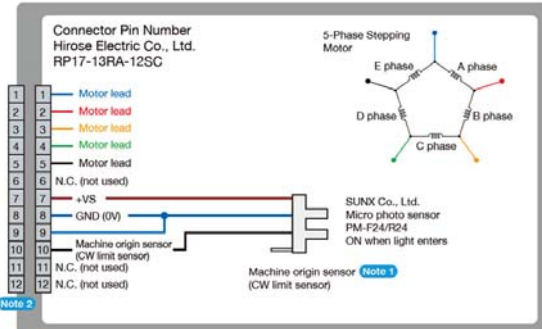
Compatible Controller	GSC-01, GSC-02, SHOT-702, GIP-101, SHOT-302GS, SHOT-304GS, HIT-M · HIT-S, PGC-04-U, HSC-103
Compatible Cable	D15RP-CA

## OSMS-60YAW Specifications

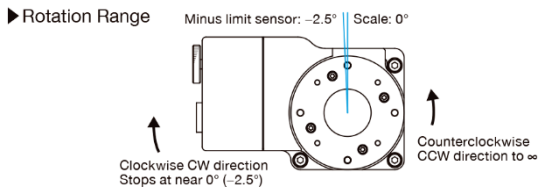
Rotation Range	Move in the counterclockwise CCW direction to $\infty$ , and stop at near 0 degree ( $-2.5^\circ$ ) in the clockwise CW direction.
Resolution [°/pulse]	(Full)0.005° (Half)0.0025°
MAX Speed [°/sec]	30

- Please check our website for details about OSMS-60YAW.

Catalog code W9027



- Note 1 When a travel command in the "+" direction is issued, the mounting table rotates to  $\infty$  in the CCW (counterclockwise) direction viewed from the top surface, but it is stopped by the machine origin sensor (CW limit sensor) in the CW (clockwise) direction. Detect the machine origin using the method (MINI system) that detects the origin with a machine origin sensor (CW limit sensor).
- Note 2 Compatible cable connector: Hirose Electric Co., Ltd. RP17-13PA-12PC/RP17-PC-122



## Outline Drawing

### OSMS-60-ND/OSMS-60-NDU

