

Sigma Fine (Piezo) Stages (high stiffness type) XY Piezo Stages Aperture Type

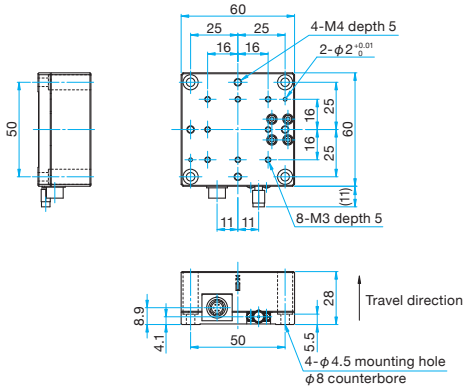
FPS-H
FPS-120XY(WA)



Outline Drawing

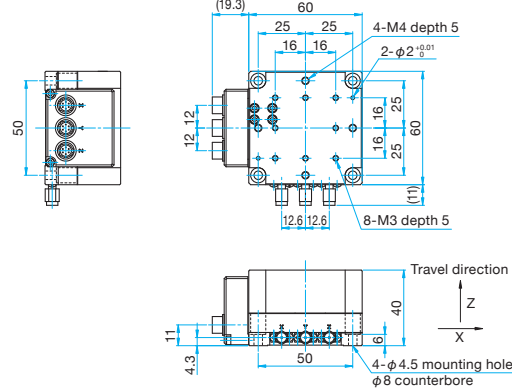
FPS-H60Z

Hexagon socket head cap screw M4x10...4 screws



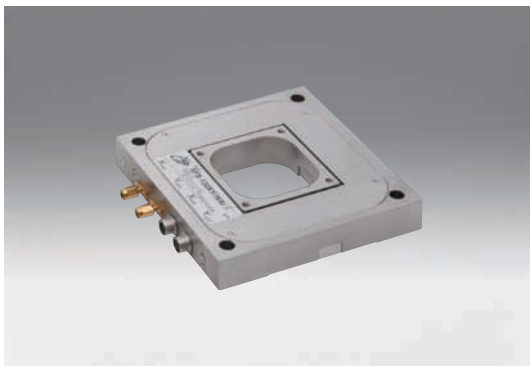
FPS-H60XYZ

Hexagon socket head cap screw M4x10...4 screws



FPS-120XY(WA)

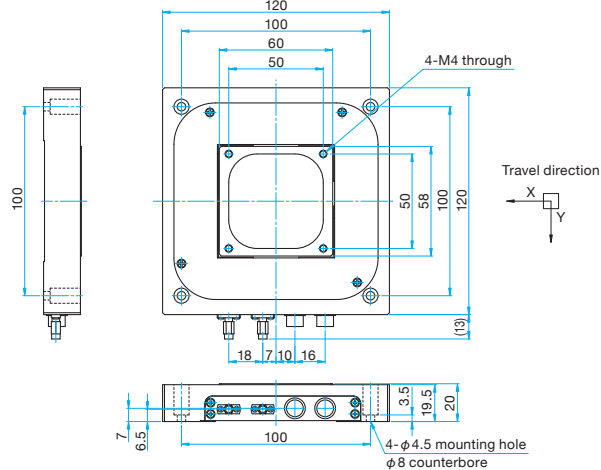
- A high precision positioning XY axis stage with 50x50mm aperture fitted with a piezo element as an actuator and digital sensor for position feedback, suitable for fine movement of samples under a microscope.
- Can be driven with the Sigma fine stage controller FPSC-503. Since the controller supports RS232C, GP-IB (FINE-503 only) and USB interfaces, position control can be performed easily from a PC using the software for positioning & measurement SGEMCSE, SGTERME and SGSFSXE.
- Ideal for applications such as incorporation into various types of microscopes, precision measurement, semiconductor test equipment, high-precision mask alignment, scanning interferometer, image processor, and biotechnology systems.



Outline Drawing

FPS-120XY(WA)

Hexagon socket head cap screw M4x8...4 screws



Specifications

Part Number	FPS-H60Z(CL)	FPS-H60XYZ	FPS-120XY(WA)
Travel	100μm±15%	100μm±15%	100μm±10%
Table Size [mm]	60×60	60×60	120×120
Actuator	Piezo actuator	Piezo actuator	Piezo actuator
Weight [kg]	0.33	0.63	1.2
Theoretical Resolution (open-loop) [nm]	1	1	1
Resolution (closed-loop) [nm]	10	10	10
Linearity [%]	0.3 or lower	0.5 or lower	—
Perpendicularity (Horizontal Direction) [μm]	1	1	1 or lower
Positional Repeatability [μm]	0.1 or lower	0.15 or lower	0.1 or lower
Load Capacity [N]	9.8 (1.0kgf)	9.8 (1.0kgf)	19.6 (2.0kgf)
Micro-displacement Sensor	Digital sensor	Digital sensor	Digital sensor
Compatible Cable	FINE-CA-3: For piezo DS1-CA-3: For digital sensor	FINE-CA-3: For piezo DS1-CA-3: For digital sensor	FINE-CA-3: For piezo DS1-CA-3: For digital sensor

Application Systems

Machine Vision

Manual Positions

Motion Control Products

Optical & Mirror Holder

FA Parts

Measurement & Control

FA Electrical Parts

Tool & Measure

Cleanroom & AntiStatic

Index

Piezo Stage

Precision Linear MS

High Speed MS

Motorized Goniometer

Motorized Rotation

Multiaxis Motorized

Industrial Robot

Controller & Driver & Cable

Custom-Built MS