

Differential Micrometer Heads (Maintenance parts) Nut Drivers

MHF
MNS

MHF (Travel Coarse: 0 – 13mm, Fine: 0 – 0.2mm)

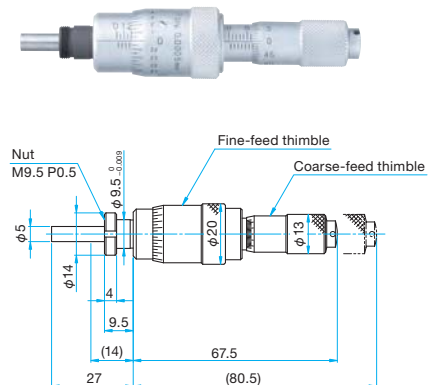
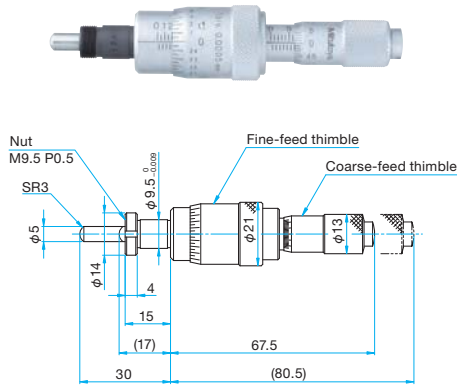
RoHS Catalog Code **W8003**



Application Systems
Optics & Optical Coatings
Opto-Mechanics
Bases
Manual Stages

MHF2-13

MHF2-13F



Attention

► Depending on the stage type, there is the possibility of shortened travel or interference with mounting parts. Contact our Sales Division when you swapping micrometer heads.

Specifications

Part Number	Travel [mm]	Type	Readable Resolution [mm]	Lead of Actuator [mm]	Load Capacity (Static load) [N]	Weight [kg]
MHF2-13	Coarse: 0 – 13 Fine: 0 – 0.2	Coarse/Fine	Coarse: 0.01 Fine: 0.0005	Coarse: 0.5 Fine: 0.025	9.8 (1kgf)	0.1
MHF2-13F	Coarse: 0 – 13 Fine: 0 – 0.2	Coarse/Fine	Coarse: 0.01 Fine: 0.0005	Coarse: 0.5 Fine: 0.025	9.8 (1kgf)	0.1

Actuators & Adjusters

MotORIZED STAGES

Light Sources & Laser Safety

Index

Micrometer Heads

Differential Micrometer Heads

Fine-pitch Screws

Remote

PKA

ACT

MNS

Catalog Code **W8004**

Special tool required to remove or secure micrometer heads.

● Special nuts are used for fastening micrometers on some manual stages (TSD and TSDS series). This custom nut driver makes removing and attaching these nuts easier and faster.



Guide

► This product comes as a set of two head sizes. Refer to the following table for compatible stages.

Head Size [mm]	Part Number of Compatible Stage
For $\phi 8$	MDC-6.5/6.5R
For $\phi 12.5$	TSD-40*/60/65/-80, TSDC-40/60, TSDH-40/60
For $\phi 14.5$	TSD-100/TSD-120

* TSD-40 C type only.

Attention

► Not all manual stages (TSD and TSDS series) are compatible. Contact our Sales Division if you have any questions.
► Micrometer heads can be swapped with a finepitch screw upon request. Note self installation may not be covered by the warranty of the stage's warranty.

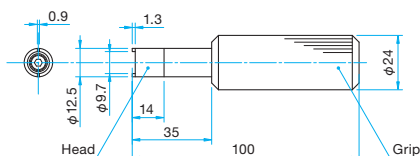
Specifications

Part Number	MNS-8
	MNS-12.5-14.5

Outline Drawing

MNS-12.5-14.5

■ Head for $\phi 12.5$ (mounted on the grip)
(compatible with TSD-40/60/65/-80, TSDC-40/60, TSDH-40/60)



■ Head for $\phi 14.5$ (compatible with TSD-100 and 120)

