

# Differential Micrometer Heads (Maintenance parts) Nut Drivers

MHF  
MNS

**MHF** (Travel Coarse: 0 – 13mm, Fine: 0 – 0.2mm)



Catalog Code **W8003**



Application Systems

Optics & Optical Coatings

Opto-Mechanics

Bases

Manual Stages

Actuators & Adjusters

MotORIZED STAGES

Light Sources & Laser Safety

Index

Micrometer Heads

Differential Micrometer Heads

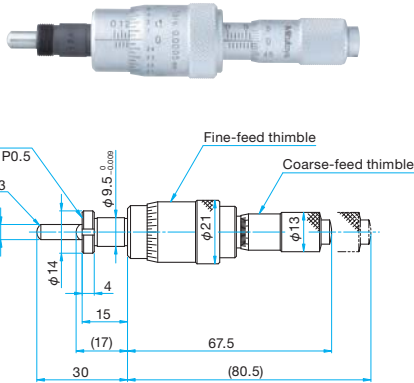
Fine-pitch Screws

Remote

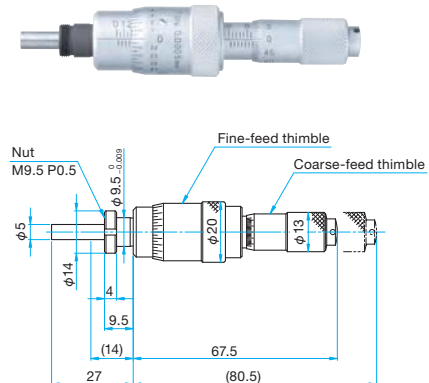
PKA

ACT

**MHF2-13**



**MHF2-13F**



**Attention**

► Depending on the stage type, there is the possibility of shortened travel or interference with mounting parts. Contact our Sales Division when you swapping micrometer heads.

**Specifications**

Part Number	Travel [mm]	Type	Readable Resolution [mm]	Lead of Actuator [mm]	Load Capacity (Static load) [N]	Weight [kg]
<b>MHF2-13</b>	Coarse: 0 – 13 Fine: 0 – 0.2	Coarse/Fine	Coarse: 0.01 Fine: 0.0005	Coarse: 0.5 Fine: 0.025	9.8 (1kgf)	0.1
<b>MHF2-13F</b>	Coarse: 0 – 13 Fine: 0 – 0.2	Coarse/Fine	Coarse: 0.01 Fine: 0.0005	Coarse: 0.5 Fine: 0.025	9.8 (1kgf)	0.1

**MNS**

Catalog Code **W8004**

**Special tool required to remove or secure micrometer heads.**

● Special nuts are used for fastening micrometers on some manual stages (TSD and TSDS series). This custom nut driver makes removing and attaching these nuts easier and faster.

**Guide**

► This product comes as a set of two head sizes. Refer to the following table for compatible stages.

Head Size [mm]	Part Number of Compatible Stage
For φ8	MDC-6.5/6.5R
For φ12.5	TSD-40*/60/65/-80, TSDC-40/60, TSDH-40/60
For φ14.5	TSD-100/TSD-120

\* TSD-40 C type only.

**Attention**

► Not all manual stages (TSD and TSDS series) are compatible. Contact our Sales Division if you have any questions.  
► Micrometer heads can be swapped with a finepitch screw upon request. Note self installation may not be covered by the warranty of the stage's warranty.



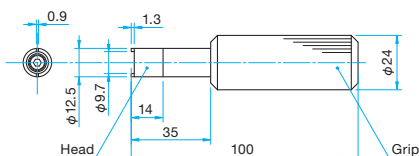
**Specifications**

Part Number	<b>MNS-8</b>
	<b>MNS-12.5-14.5</b>

**Outline Drawing**

**MNS-12.5-14.5**

■ Head for φ12.5 (mounted on the grip)  
(compatible with TSD-40/60/65/-80, TSDC-40/60, TSDH-40/60)



■ Head for φ14.5 (compatible with TSD-100 and 120)

