

X axis Long Travel Aluminum Crossed Roller Slide Stages (Coarse/Fine Movement) | **MLT81-SDM** **RoHS** Catalog Code **W7017**

Light-weight and high precision linear stages have black anodized aluminum bodies fitted with crossed roller bearings.

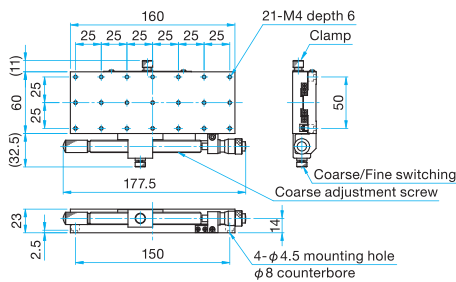


- The coarse/fine movement type uses 5mm lead screw, enabling long travel in a short time. Minute adjustment is also possible with the micrometer head for fine adjustment.

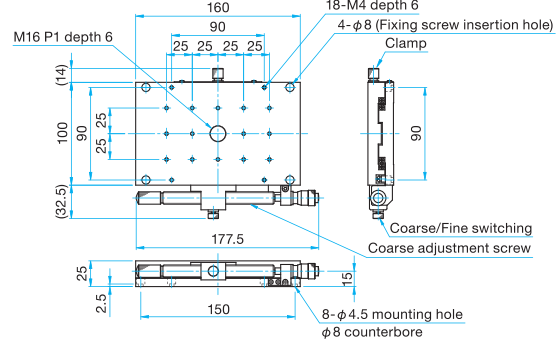


**Outline Drawing**

**MLT81-60160SDM** Hexagonal socket head cap screw M4x6...4 screws

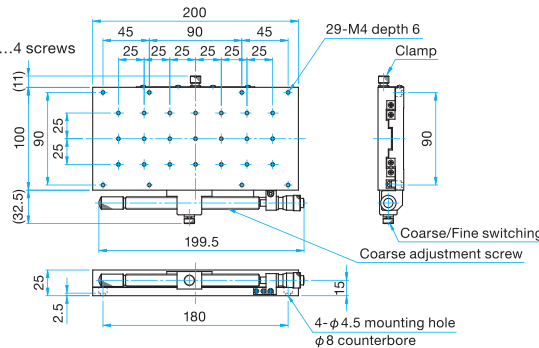


**MLT81-100160SDM** Hexagonal socket head cap screw M4x6...4 screws



**MLT81-100200SDM**

Hexagonal socket head cap screw M4x6...4 screws



**SPEC UP**

**Specifications**

Part Number	MLT81-60160SDM	MLT81-100160SDM	MLT81-100200SDM	
Table Size [mm]	60×160	100×160	100×200	
Micrometer Position	Side	Side	Side	
Travel [mm]	Coarse: ±35 Fine: ±3	Coarse: ±35 Fine: ±3	Coarse: ±50 Fine: ±3	
Lead of Actuator [mm/rotation]	Coarse: 5 Fine: 0.5	Coarse: 5 Fine: 0.5	Coarse: 5 Fine: 0.5	
Micrometer Readable Resolution [mm]	0.01	0.01	0.01	
Positioning Slide	Crossed roller	Crossed roller	Crossed roller	
Primary Material	Aluminum	Aluminum	Aluminum	
Finish	Black anodized	Black anodized	Black anodized	
Load Capacity [N]	392 (40.0kgf)	588 (60.0kgf)	980 (100.0kgf)	
Travel Accuracy	Straightness [μm]	2	3	
	Pitch ["]	40	40	60
	Yaw ["]	25	25	25
Max. Moment Capacity	Pitch [N·m]	43.2	62.8	100
	Roll [N·m]	41.2	60.8	99.1
	Yaw [N·m]	39.2	58.8	98.1
Moment Stiffness	Pitch ["/N·cm]	0.05	0.046	0.036
	Roll ["/N·cm]	0.25	0.04	0.03
Parallelism [μm]	50	100	100	
Running Parallelism [μm]	15	20	20	
Weight [kg]	1.1	1.4	1.7	

Application Systems

Machine Vision

Manual Positions

Motion Control Products

Optical & Mirror Holder

F A Parts

Measurement & Control

FA Electrical Parts

Tool & Measure

Cleanroom & AntiStatic

Index

X Axis

XY Axis

Z Axis

XZ Axis

XYZ Axis

Rotation

Goniometers /Tilt

Multiaxis

Linear Guide

□15mm

□25mm

□40mm

□50mm

□60mm

□70mm

□80mm

□100mm

□120mm

Others