

NEW Low-profile X axis Steel Stages | MLT51-40/60 Stage size □40/□60mm

RoHS

Application Systems

Machine Vision

Manual Positions

Motion Control Products

Optical & Mirror Holder

FA Parts

Measurement & Control

FA Electrical Parts

Tool & Measure

Cleanroom & AntiStatic

Index

X Axis

XY Axis

Z Axis

XZ Axis

XYZ Axis

Rotation

Goniometers /Tilt

Multiaxis

Linear Guide

□15mm

□25mm

□40mm

□50mm

□60mm

□70mm

□80mm

□100mm

□120mm

Others

Ultra thin stages (10mm) provide high stiffness and load capacity in a very low profile packages that are 40% shorter and 35% lighter than standard TSD stages.

- Opposed locking clamp to maximize the holding power.
- Low-profile is ideal for assembling into systems with limited spaces or optical experiments that require low optical axis.

Stage □40mm



Stage □60mm



Guide

- ▶ The part number suffix FP indicates products with fine-pitch screws instead of standard micrometers.
- ▶ Fine Pitch screws have a screw pitch of 0.25mm and require a hex wrench or the optional hex wrench with knob (NSC) for adjustment.

Reference H010



	MLT31-60S	NEW	MLT51-60S
Stage Thickness	18mm	→	10mm
Stage weight	0.5kg	→	0.28kg

Specifications				
Part Number	NEW MLT51-40S	NEW MLT51-40SFP	NEW MLT51-60S	NEW MLT51-60SFP
Opposite Model	NEW MLT51-40SR	NEW MLT51-40SRFP	NEW MLT51-60SR	NEW MLT51-60SRFP
Table Size [mm]	40×40	40×40	60×60	60×60
Micrometer Position	Side	Side	Side	Side
Travel [mm]	±6.5	±6.5	±6.5	±6.5
Lead of Actuator [mm/rotation]	0.5	0.25	0.5	0.25
Micrometer Readable Resolution [mm]	0.01	—	0.01	—
Positioning Slide	Extended contact ball guide	Extended contact ball guide	Extended contact ball guide	Extended contact ball guide
Primary Material	Steel	Steel	Steel	Steel
Finish	Super black chrome	Super black chrome	Super black chrome	Super black chrome
Load Capacity [N]	147 (15.0kgf)	147 (15.0kgf)	343 (35.0kgf)	343 (35.0kgf)
Travel Accuracy	Straightness [μm]	1	1	1
	Pitch [ʹ]	30	30	25
	Yaw [ʹ]	25	25	15
Max. Moment Capacity	Pitch [N·m]	3.9	3.9	6.4
	Roll [N·m]	3.9	3.9	6.4
	Yaw [N·m]	2.9	2.9	4.9
Moment Stiffness	Pitch [ʹ/N·cm]	0.36	0.36	0.2
	Roll [ʹ/N·cm]	0.3	0.3	0.2
	Yaw [ʹ/N·cm]	0.36	0.36	0.2
Parallelism [μm]	30	30	30	30
Running Parallelism [μm]	10	10	10	10
Weight [kg]	0.14	0.14	0.28	0.28

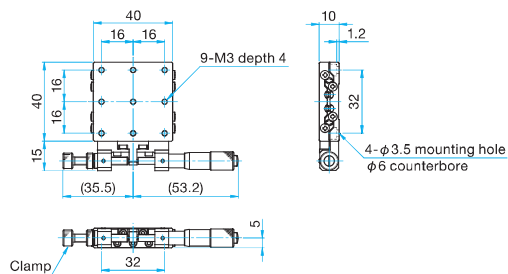
Catalog Code **W7003**



Outline Drawing

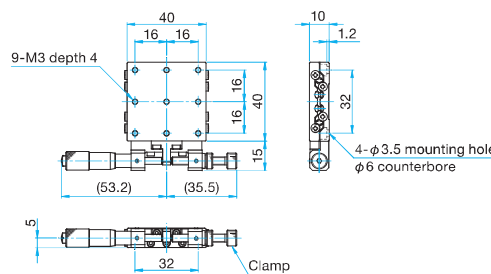
MLT51-40S

Low head hexagon socket head cap screw M3x5...4 screws



MLT51-40SR

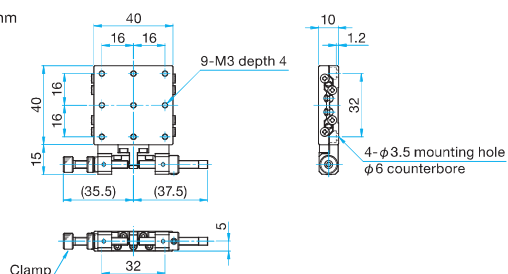
Low head hexagon socket head cap screw M3x5...4 screws



MLT51-40SFP

Low head hexagon socket head cap screw M3x5...4 screws

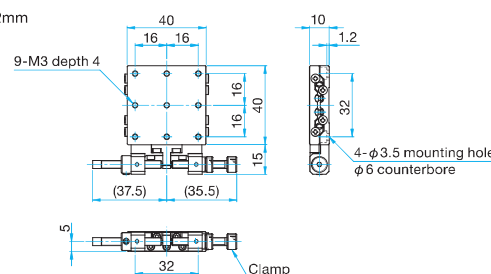
2mm



MLT51-40SRFP

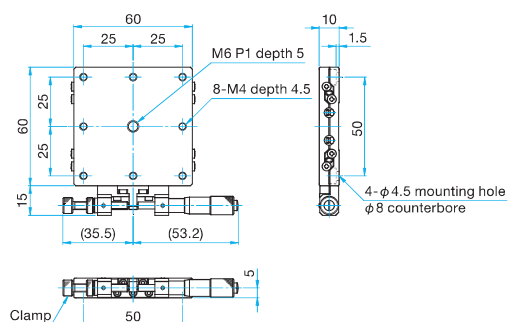
Low head hexagon socket head cap screw M3x5...4 screws

2mm



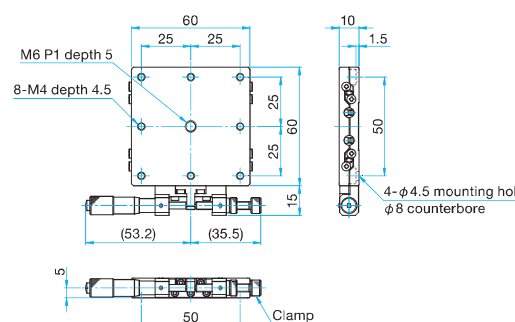
MLT51-60S

Low head hexagon socket head cap screw M4x6...4 screws



MLT51-60SR

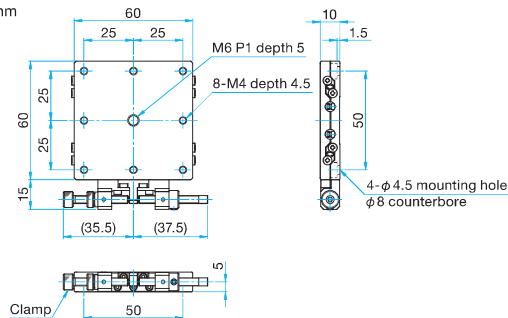
Low head hexagon socket head cap screw M4x6...4 screws



MLT51-60SFP

Low head hexagon socket head cap screw M4x6...4 screws

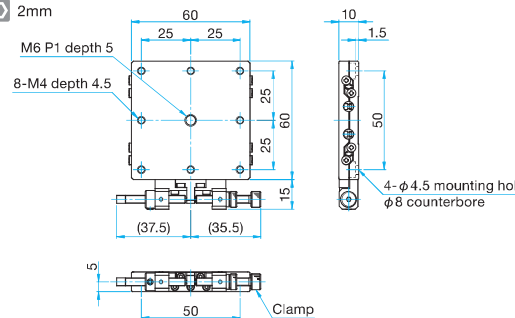
2mm



MLT51-60SRFP

Low head hexagon socket head cap screw M4x6...4 screws

2mm



Application Systems

Machine Vision

Manual Positions

Motion Control Products

Optical & Mirror Holder

F A Parts

Measurement & Control

FA Electrical Parts

Tool & Measure

Cleanroom & AntiStatic

Index

X Axis

XY Axis

Z Axis

XZ Axis

XYZ Axis

Rotation

Goniometers /Tilt

Multiaxis

Linear Guide

□15mm

□25mm

□40mm

□50mm

□60mm

□70mm

□80mm

□100mm

□120mm

Others