

# X Axis Leadscrew Translation Stages XY Axis Leadscrew Translation Stages

TAS-1

Stage Size 24 x 30 mm / 18 x 60 mm

RoHS

TAS-2

Application  
SystemsOptics &  
Optical  
CoatingsOpto-  
Mechanics

Bases

Manual  
StagesActuators &  
AdjustersMotorized  
StagesLight Sources &  
Laser Safety

Index

Guide

X Axis Stages

XY Axis Stages

Z Axis Stages

XZ Axis Stages

XYZ Axis Stages

Rotation Stages

Goniometer

Tilt Stages

Vacuum

Ball Bearing Guide

Crossed Roller

Dovetail

Lapping

V Groove Screw

Others

15 x 15 mm

25 x 25 mm

40 x 40 mm

60 x 60 mm

65 x 65 mm

80 x 80 mm

100 x 100 mm

120 x 120 mm

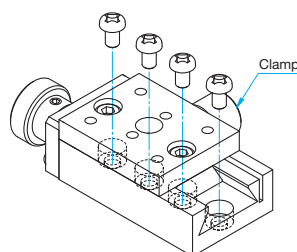
Others

Leadscrew dovetail translation stages with rectangular form factor, enabling longer travel with fine adjustment.

- Low cost, high stability, and long travel due to form factor. Large adjustment knob provides high sensitivity, (Except 15mm size)



## Mounting Method



Stage must be translated to provide access to all of the mounting holes.

## Guide

- ▶ Use adaptor plates for TAS-2060 (SP-127-1 and SP-134) to mount post holders and various stages.  
SP-127-1 [Reference](#) D045 [Catalog Code](#) W6069  
SP-134 [Reference](#) D046 [Catalog Code](#) W6076

## Attention

- ▶ Micrometer brackets may extend above the top surface of some stages. Check drawings for more information.

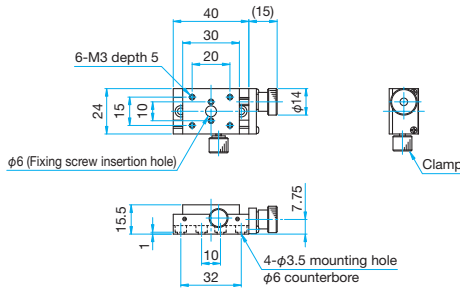
## Specifications

Part Number	METRIC	TAS-24301	TAS-20601	TAS-24302	TAS-20602
(Opposite Model)	METRIC	TAS-24301R	TAS-20601R	TAS-24302R	TAS-20602R
Stage Size [mm]		24x30	18x60	24x30	18x60
Axes of Travel		X axis		XY axis	
Travel [mm]		±4	±7.5	±4	±7.5
Screw Pitch [mm]		0.5	0.5	0.5	0.5
Guide Method		Dovetail method			
Primary Material		Brass			
Finish		Super black chrome			
Load Capacity [N]		68.7 (7.0kgf)	147 (15.0kgf)	68.7 (7.0kgf)	147 (15.0kgf)
Travel Accuracy	Straightness [μm]	20	20	20	20
	Pitch [N·m]	0.5	0.5	0.5	0.5
	Roll [N·m]	0.5	0.5	0.5	0.5
Max. Moment Capacity	Roll [N·m]	0.5	0.5	0.5	0.5
	Yaw [N·m]	0.5	0.7	0.5	0.7
	Pitch [°/N·cm]	0.51	0.25	1.5	1.27
Moment Stiffness	Roll [°/N·cm]	1.0	1.0	1.5	1.27
	Parallelism [μm]	50	50	100	100
Weight [kg]		0.2	0.5	0.4	0.9

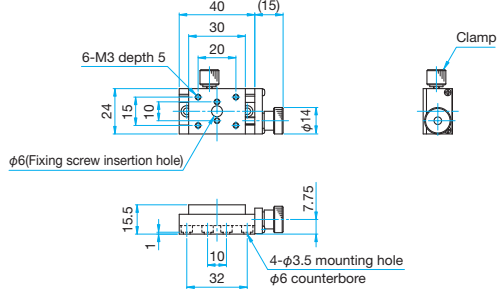


Outline Drawing

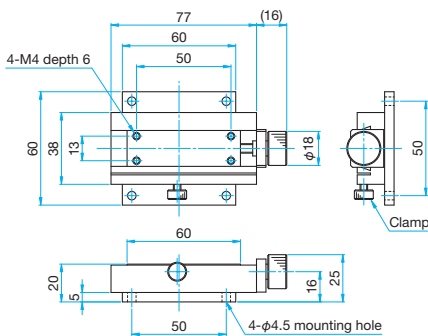
TAS-24301 Pan head screw M3x5...4 screws



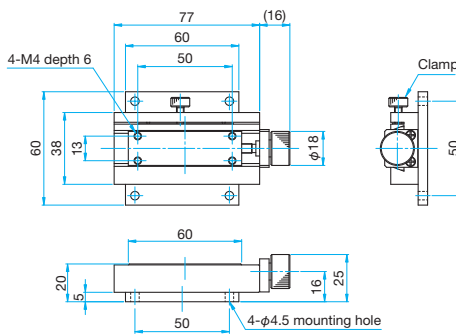
TAS-24301R Pan head screw M3x5...4 screws



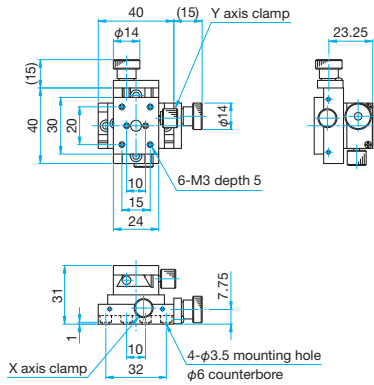
TAS-20601 Hexagonal socket head cap screw M4x10...4 screws



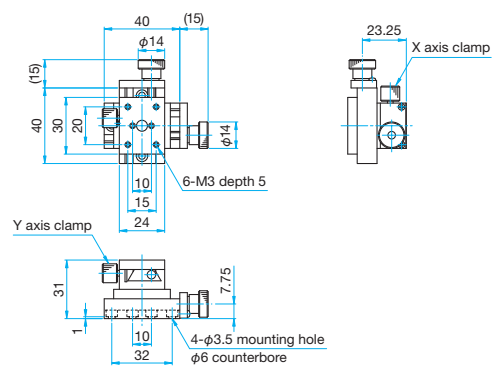
TAS-20601R Hexagonal socket head cap screw M4x10...4 screws



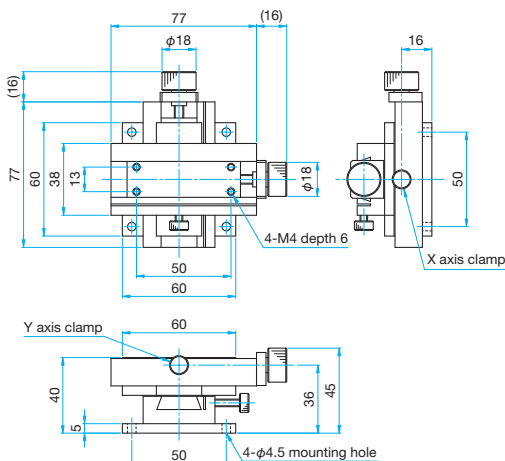
TAS-24302 Pan head screw M3x5...4 screws



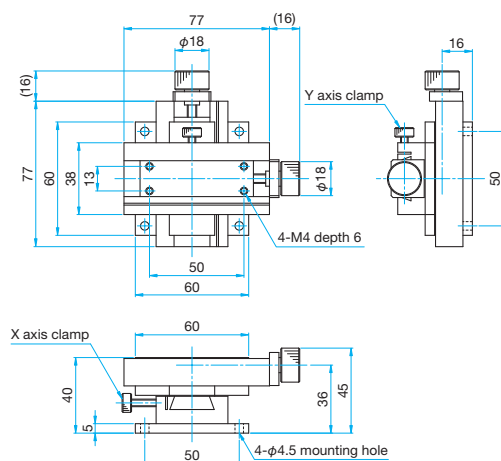
TAS-24302R Pan head screw M3x5...4 screws



TAS-20602 Hexagonal socket head cap screw M4x10...4 screws



TAS-20602R Hexagonal socket head cap screw M4x10...4 screws



Application Systems

Optics & Optical Coatings

Opto-Mechanics

Bases

Manual Stages

Actuators & Adjusters

Motoeized Stages

Light Sources & Laser Safety

Index

Guide

X Axis Stages

XY Axis Stages

Z Axis Stages

XZ Axis Stages

XYZ Axis Stages

Rotation Stages

Goniometer

Tilt Stages

Vacuum

Ball Bearing Guide

Crossed Roller

Dovetail

Lapping

V Groove Screw

Others

15 x 15 mm

25 x 25 mm

40 x 40 mm

60 x 60 mm

65 x 65 mm

80 x 80 mm

100 x 100 mm

120 x 120 mm

Others